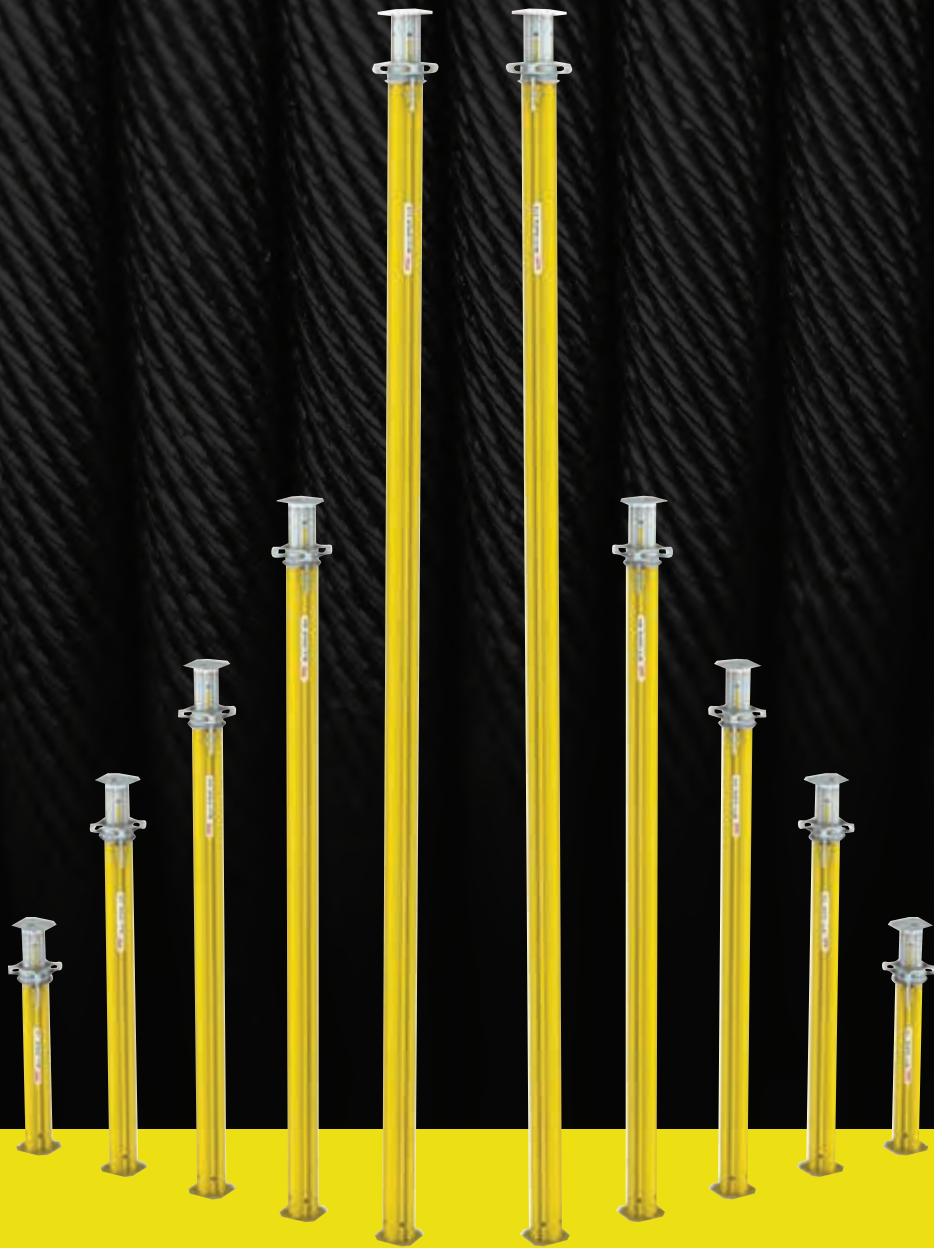


# SUPERPROPPING™



Preston Hire offers a wide range of intelligent propping hire solutions for those working in the building and construction industry. Our extensive range of adjustable props is available for hire across Australia - ensuring we can always deliver the quality propping hire solution you need.



COUNT ON US

# **HIRE & INSTALL, WE DO IT ALL...**



Preston Hire supplies specialised hire and rental equipment to the construction industry using current technology, real world knowledge and expert advice.

We use cost effective, proven safety practices and our team of highly skilled, dedicated and passionate staff deliver our services to you.

# SPECIFICATIONS SUPERPROPPING™

## CONTENTS

GENERAL CONSTRUCTION PROP	4
SUPERPROP	7
MULTI PROP	10
HEAVY DUTY PROP	14
MEGAPROP	17

## HIRE & INSTALL.

At Preston Hire we will:

- Visit your site
- Consult to determine your requirements
- Advise a cost effective solution
- Install & make your job easy

No building or construction work is too large, no home improvement or renovation work is too small for Preston Hire Superpropping

The information in this brochure is from sources such as operator's manuals, manufacturers and their relevant engineers. Preston believes that the information provided in this publication is correct at the time of printing, but takes no responsibility for its accuracy.



COUNT ON US

1800 440 550 | [prestonhire.com.au](http://prestonhire.com.au)





## **GENERAL CONSTRUCTION PROP**

Heavy-duty vertical and horizontal General Construction Props incorporate the very latest in safety and design. Quick, easy and reliable, the Preston General Construction propping system is a must have on any construction site. You demand the best and we provide it with propping.

**HIRE YOUR GENERAL CONSTRUCTION PROP TODAY!**



**COUNT ON US**

**1800 440 550 | [prestonhire.com.au](http://prestonhire.com.au)**

## GENERAL CONSTRUCTION PROP SPECIFICATIONS

GENERAL CONSTRUCTION PROP LOAD CHART														
No 1 (13kg)			No 2 (17.3kg)			No 3 (20kg)			No 4 (22.6kg)			No 5 (30kg)		
mm	t	kN	mm	t	kN	mm	t	kN	mm	t	kN	mm	t	kN
1050	4.33	42.0												
1200	4.18	41.0												
1400	3.36	33.0												
1600	2.54	25.0	1600	2.44	34.0									
1800	2.39	23.5	1800	2.95	29.0	1900	3.97	39.0						
1850	2.34	22.0	2000	2.49	24.5	2000	3.51	34.5	2170	3.61	35.0			
			2200	1.93	19.0	2200	2.54	25.0	2200	3.61	34.0			
			2400	1.73	17.0	2400	2.19	21.5	2400	3.16	31.0			
			2600	1.47	14.5	2600	1.78	17.5	2600	2.34	23.0			
			2800	1.32	12.0	2800	1.58	15.5	2800	1.93	19.0			
						3000	1.37	13.5	3000	1.58	15.5	3100	3.14	20.0
						3200	1.22	12.0	3200	1.27	12.5	3200	1.93	19.0
						3400	1.12	11.0	3400	1.17	11.5	3400	1.78	17.5
									3600	1.00	10.0	3600	1.52	15.0
									3800	0.91	9.0	3800	1.27	12.5
									3975	0.76	7.0	4000	1.12	11.0
												4200	0.96	9.5
												4400	0.91	9.0
												4600	0.81	8.0
												4800	0.71	7.0
												4900	0.61	6.0

Note: Specifications may vary slightly from time to time from those noted above.

## HOW TO CHOOSE THE RIGHT PROP FOR YOUR PROJECT.

The first step is to look at the height or distance that you are looking to prop. Do not use props that are too short by making up the gap with timber or other packer and always use the correct length prop for the job. Similarly, if your propping distance is on the limit of the fully collapsed prop it may be best to select the next size down to ensure that there is enough adjustment in the prop if there is a slight variation on site.

The following table is to be used as a general guide only as specifications will vary with different suppliers. Please check with your supplier for their specific specification.

Prop No 1	1050 - 1850 mm
Prop No 2	1600 - 2800 mm
Prop No 3	1900 - 3400 mm
Prop No 4	2170 - 3975 mm
Prop No 5	3100 - 4900 mm



## ESTIMATE THE LOAD THAT YOUR NEED TO SUPPORT

The second step is to look at what load the prop is required to support. You will need to consult your Engineer or other responsible persons regarding the weight of the overhead structure so they can determine what loads are required to be supported. Where the load is higher than the capacity of a single prop you can use multiple props to increase the supported load in a given area.

The following table is to be used as a general guide only as specifications will vary with different suppliers. Please check with your supplier for their specific specification.

Prop No 1	22 - 42 KN	1050 - 1830 mm
Prop No 2	12 - 34 KN	1600 - 2800 mm
Prop No 3	11 - 39 KN	1900 - 3400 mm
Prop No 4	7 - 35 KN	2170 - 3975 mm
Prop No 5	6 - 20 KN	3100 - 4900 mm

Ensure that whatever you use a construction prop that the structure at both the base and the head of the prop are solid and strong enough to support the desired load. If there is any doubt then it would be a good idea to spread the impact of the prop by using a spreader beam or plate.

Remember that the correct selection of your props is critical to the safety and efficiency of your building site and must always be signed off by a suitably qualified engineer or other qualified person.





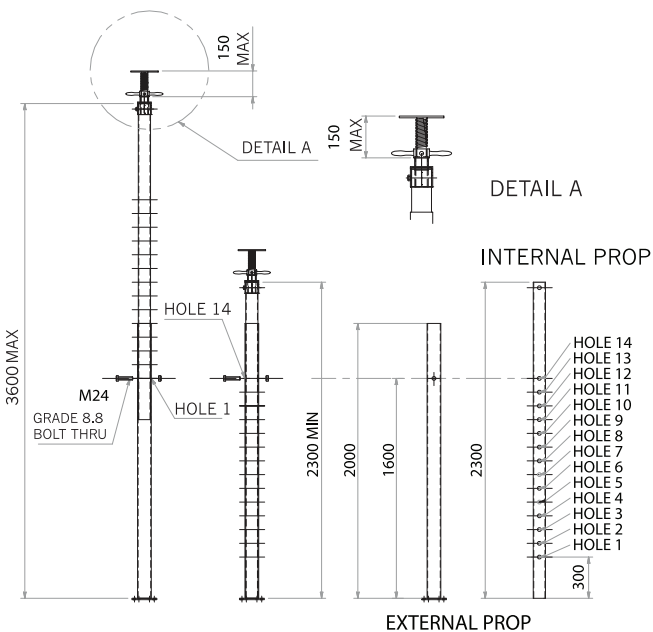
## SUPERPROP

The PRESTON SUPERPROP is a heavy-duty vertical and horizontal prop system that works perfectly in conjunction with the Superdeck and other back propping requirements. With a monstrous maximum capacity of 12.1t, securable base and heavy duty screw jacks, ideal for transferring or supporting loads.

## PRESTON SUPERPROP SPECIFICATIONS.

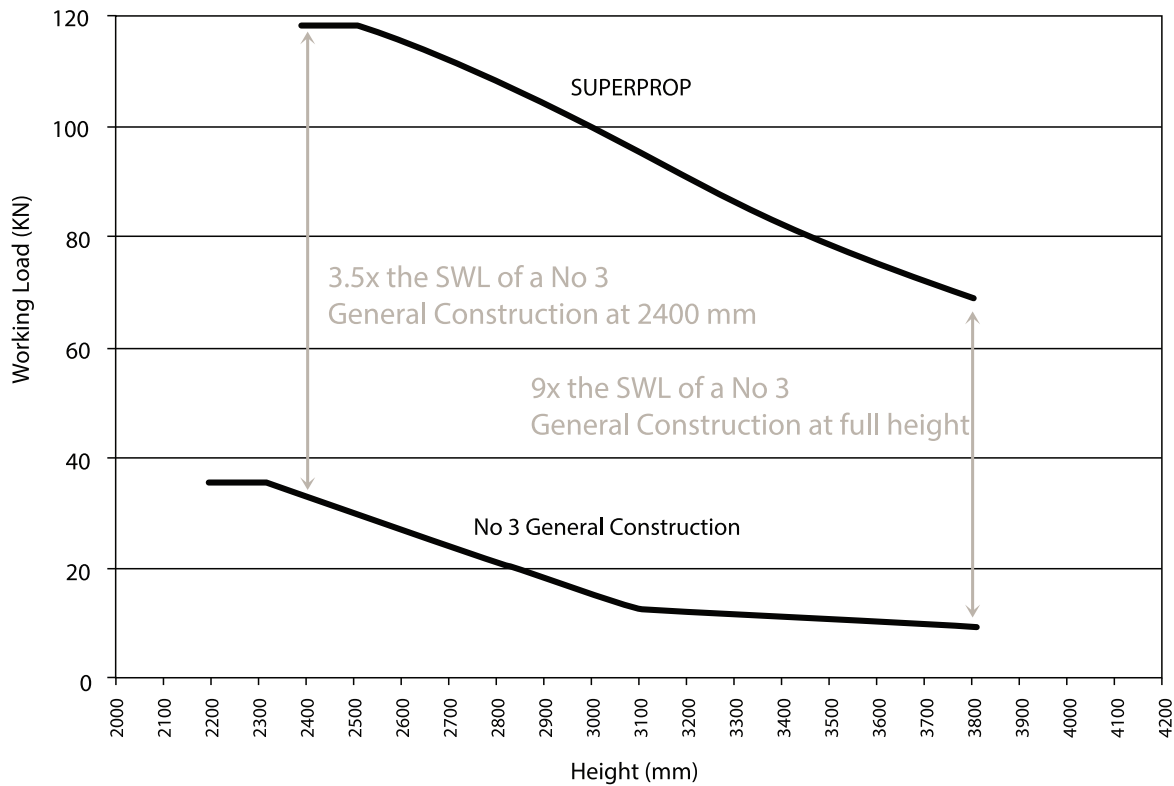
PRESTON SUPERPROP LOAD CHART		
BOLT POSITION INTERNAL PROP	SAFE WORKING LOAD	HEIGHT (mm)
14	12.1 T	2300
13	12.1 T	2400
12	12.1 T	2500
11	12.1 T	2600
10	11.9 T	2700
9	11.3 T	2800
8	10.8 T	2900
7	10.2 T	3000
6	9.7 T	3100
5	9.3 T	3200
4	8.8 T	3300
3	8.4 T	3400
2	8.0 T	3500
1	7.6 T	3600

- Formwork reinforcing / support
- Load / floor under pinning
- Structure reinforcing / support
- Extends to 3600 mm
- Can be used vertical or horizontal
- Superior load rating up to 12.1 Tonnes
- Slab reinforcement i.e bond deck, ultra floor
- Ideal for transferring heavy loads from the levels above down to the ground floor
- Weight 56.0 kg





## GENERAL CONSTRUCTION PROP NO 3 vs. PRESTON HIRE SUPER PROP COMPARISON.



Specifications, sizes and load capacity of a Preston Hire Superprop vs. a No 3 General Construction Prop

The popularity of the Preston Hire Superprop comes down to the fact that the Superprop provides you with a seriously heavy duty prop. Preston Hire Superprop's have a massive Safe Working Load of 118 KN at 2400 mm through to a very impressive 62 KN at it's maximum height of 3800 mm.

# MULTIPROP

## MP250, MP350, MP480, MP625

The MULTIPROP is well known and accepted in the construction industry and has been used for many years, on many building and construction sites, in many different applications. It provides a simple, quick, light weight and flexible method of temporary support where it is needed. These props also have the ability to be arranged in a tower of four to enhance formwork systems to cope with larger concrete structures. There is also a range of attachments to carry beams and other structural items.

**HIRE YOUR MULTIPROP TODAY!**



# SPECIFICATIONS SUPERPROPPING™

## MULTIPROP SPECIFICATIONS

Permissible Prop Load [kN] according to the Type Test

	MP 250 L = 1.45 – 2.50 m		MP 350 L = 1.95 – 3.50 m		MP 480 L = 2.60 – 4.80 m		MP 625 L = 4.30 – 6.25 m	
Weights	15.6 kg		19.7 kg		25.0 kg		34.8 kg	
Extension Length [m]	Outer Tube Bottom	Inner Tube Bottom	Outer Tube Bottom	Inner Tube Bottom	Outer Tube Bottom	Inner Tube Bottom	Outer Tube Bottom	Inner Tube Bottom
1.45	73.3	76.2						
1.50	73.3	76.2						
1.60	73.3	76.2						
1.70	73.3	76.2						
1.80	71.7	76.2						
1.90	68.6	76.2						
1.95	67.0	76.2						
2.00	65.4	76.2						
2.10	63.8	74.6						
2.20	62.2	73.0	88.3	87.4				
2.30	61.1	70.5	88.3	87.4				
2.40	60.6	67.0	83.0	87.4				
2.50	60.0	63.6	77.7	87.4				
2.60			72.9	86.6	85.9			
2.70			68.6	85.1	81.2			
2.80			64.4	83.5	76.5			
2.90			61.9	80.7	71.8	71.4		
3.00			59.3	77.8	67.1	71.1		
3.10			57.5	74.9	63.0	70.8		
3.20			55.7	71.9	58.9	70.4		
3.30			54.3	68.3	54.8	70.1		
3.40			52.9	64.6	52.5	69.4		
3.50			51.4	60.0	50.2	68.6		
3.60			49.8	55.4	47.9	67.9		
3.70			46.4	50.3	46.0	66.2		
3.80			42.9	45.1	44.2	64.5		
3.90					42.3	50.2		
4.00					40.4	46.9		
4.10					38.5	43.7		
4.20					36.6	40.4		
4.30					34.8	38.2	56.2	44.6
4.40					32.9	36.0	54.7	44.6
4.50					31.1	33.7	53.1	44.6
4.60					29.3	31.5	43.8	41.2
4.70					27.4	29.3	41.2	40.3
4.80					25.6	27.1	38.6	38.8
4.90							36.1	37.3
5.00							33.8	35.9
5.10							31.9	34.5
5.20							29.9	33.1
5.30							28.4	31.6
5.40							26.9	30.1
5.50							25.5	28.6
5.60							24.3	27.0
5.70							23.1	25.4
5.80							22.0	24.1
5.90							20.9	22.8
6.00							20.4	22.1
6.10								
6.20								
6.25								

MULTIPROPS are classified according to official approval as follows:

MP 250 = Class T 25                      MP 480 = Class D 45

MP 350 = Class R 35                      MP 625 = Class D 60

Note:

We recommend using the HD Wingnut Spanner to release the loads > 60 kN.

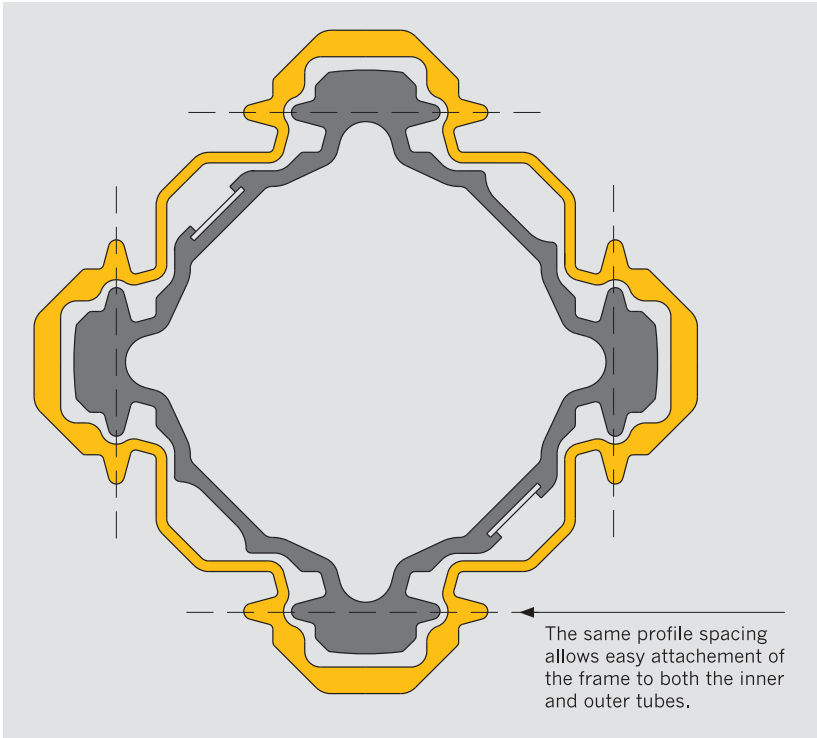


COUNT ON

1800 440 550 | [prestonhire.com.au](http://prestonhire.com.au)

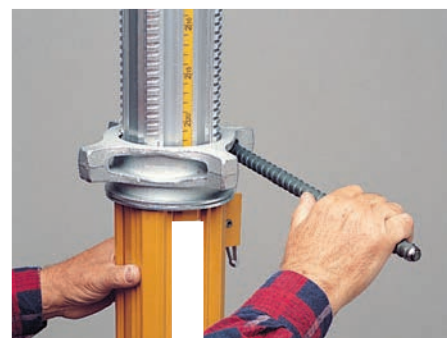


## MULTIPROP LIGHT WEIGHT PROPPING SYSTEM.



MULTIPROP post shore, braced with the MULTIPROP frames MRK, carries a load up to 90 kN per leg.

MULTIPROP braced with frame is the ideal component for slab tables or shoring towers.



The MULTIPROP adjusting collar can be turned with a tie bar or the specially designed wingnut spanner (available on request)

## MULTIPROP LIGHT WEIGHT PROPPING SYSTEM.



Outer tube.



Inner tube.

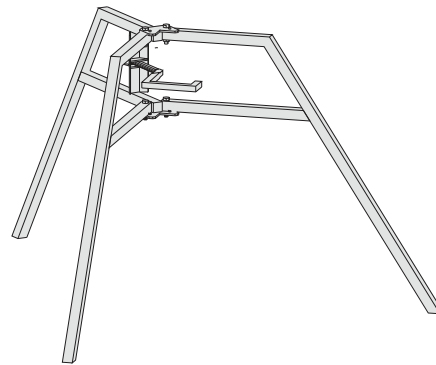
The MULTIPROP frames can be mounted to both the outer and inner tubes by means of the captive wedge.



A hammer is all that is needed to knock the wedge into the MULTIPROP frame's coupling.

Useful accessories supplement Preston MULTIPROP to further enhance their flexibility.

Extremely safe, quick and convenient formwork makes this investment pay for itself in no time.



The Universal Tripod fits all props from  $\varnothing$  48 to 120 mm.



# HEAVY DUTY PROP HD200

For bridges, tunnels, renovations, in fact wherever substantial loads have to be transferred, the site used to need 3 things: a lot of space, heavy support structures and above all, time. The heavy duty HD200 carrying 200 kN makes all that a thing of the past.

**HIRE YOUR HEAVY DUTY TODAY!**

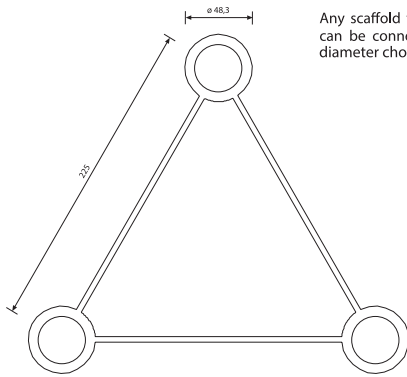




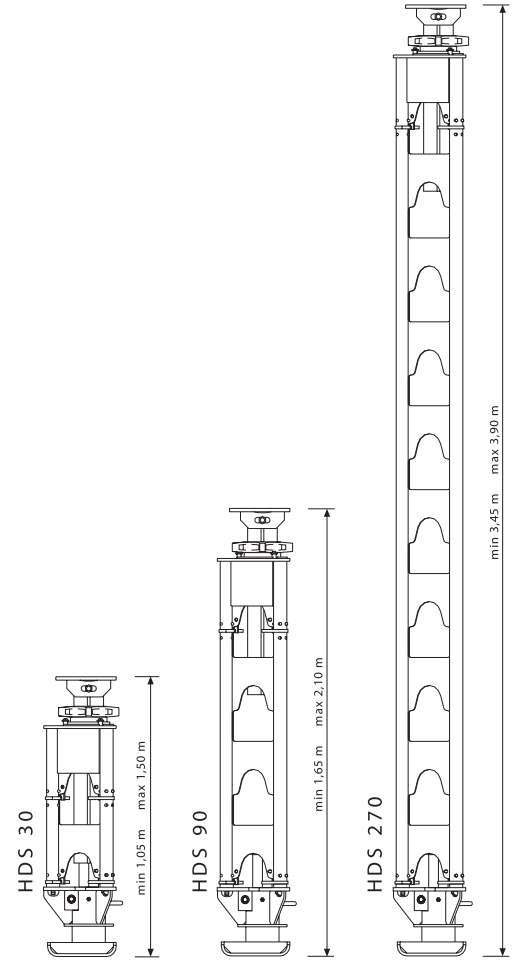
## HEAVY DUTY PROP - HD200

The heavy duty HD200 system offers the user decisive advantages when erecting support structures.

- Simple erection  
Captive connectors can be operated without tools.
- Lightweight  
Max. component weight of 29 kg largely avoids reliance on crane.
- Easy operation  
The lowering device is easily released, even under full load, using a simple power drill.
- The system's primary beam  
Obviates involved site operations.



Any scaffold tube bracing needed can be connected to the 48.3 mm diameter chord section.



Simple erection - all sections can be extended and connected without using any small parts that can get lost. The chord couplings are operated without any tools.

Easy operation - even under full load, controlled lowering is easy with the lowering device. The 100 mm range facilitates striking.



Put prop section on ...



... and connect with chord couplings.

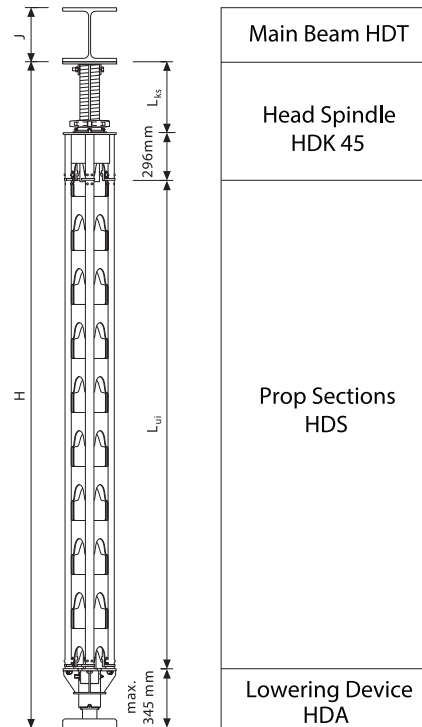
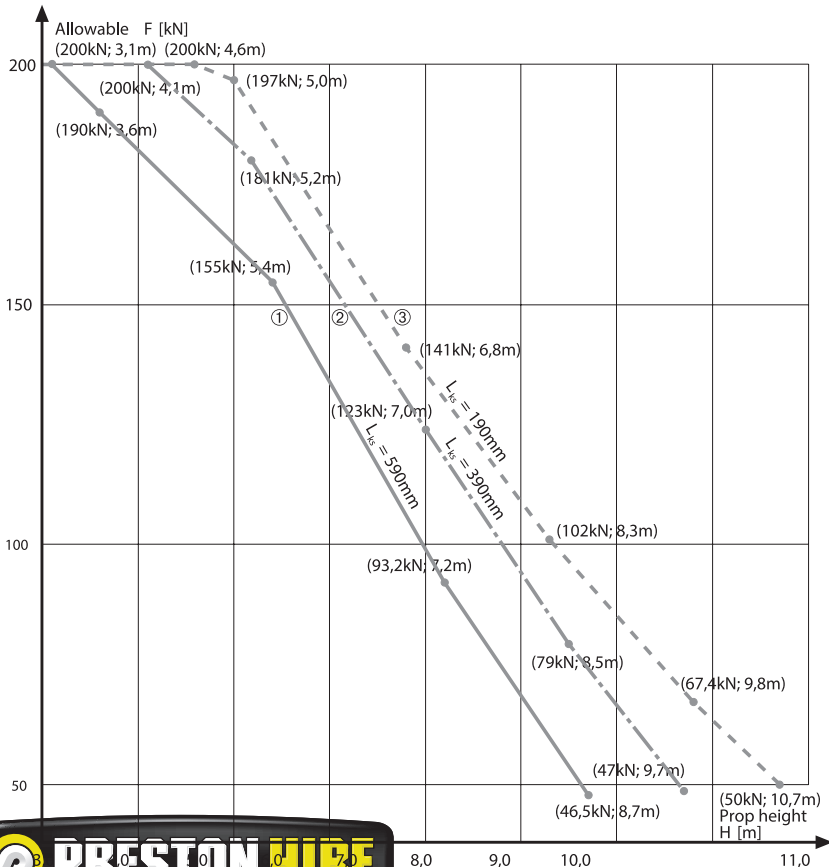
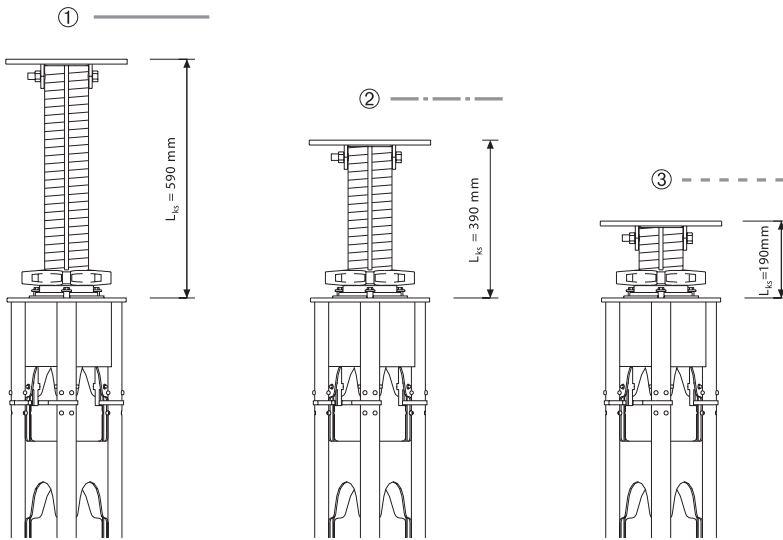


A conventional power drill with 19 mm socket is used to operate the device.

## HEAVY DUTY PROP - HD200 SPECIFICATIONS.

### LOAD CAPACITY DIAGRAM

This diagram is taken from the HEAVY DUTY HD200 prop type approval test report. It may only be used in compliance with conditions imposed by the test.



COUNT ON US

1800 440 550 | [prestonhire.com.au](http://prestonhire.com.au)



## MEGA PROP

The MEGA PROP is a unique ultra high modular propping system, designed for axial loads of up to 1000kN. It's real strength lies in it is versatility. From heavy lifting towers, frames and trusses, MEGA PROP can be configured for a huge variety of applications, both vertically and horizontally.



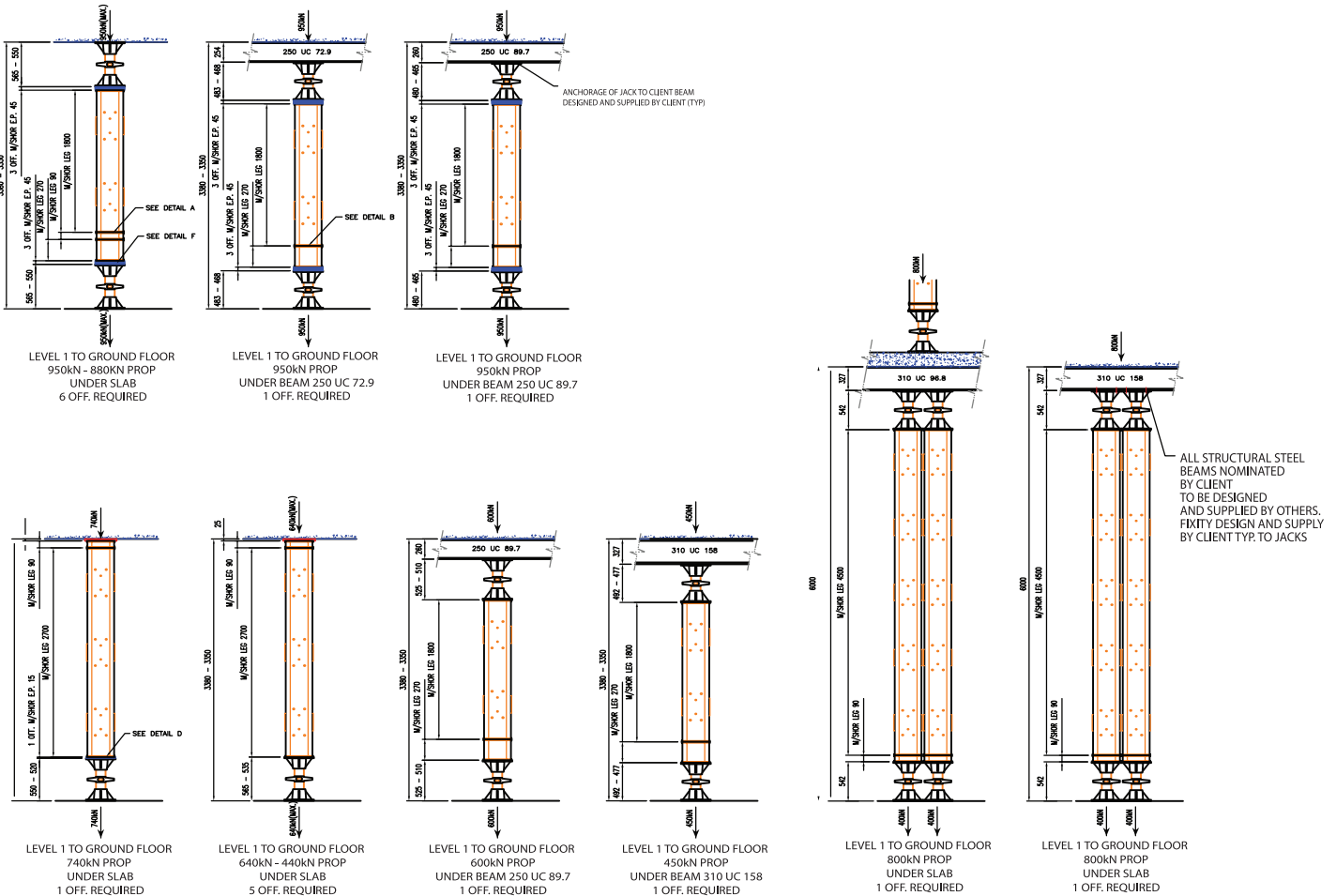
## MEGA PROP SPECIFICATIONS.

Preston Hire will also consult, hire and install specific propping requirements for structural changes to your project. The Mega Prop will support up to 1000 kN (100t) and can be built in various lengths using components to achieve the desired engineering requirements. Comprehensive detail and specification will be provided upon request or consultation. We specialise in helping you achieve a practical solution to the engineering difficulties that comes with refurbishing and or changing to the structure to allow for building adaptation.

Preston Hire can also provide support beams that work in conjunction with propping to support the concrete element after cutting and excavating the spoil. The beams can be supplied and installed to your engineer's specification.

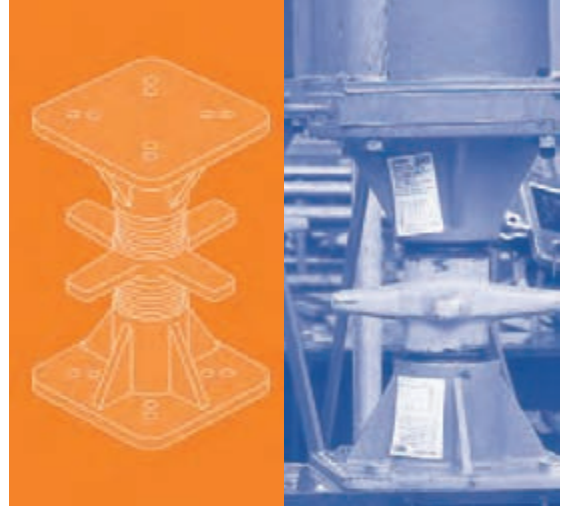
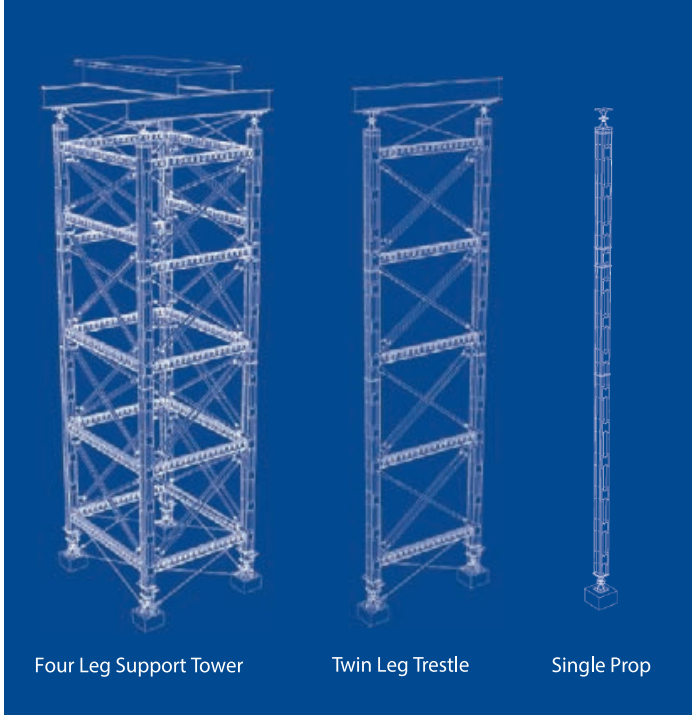
Our consultation process will ultimately result in a solution that suits all parties.

Typical design detail for prop component building and load specification, which is presented for approval before installation.



# SPECIFICATIONS SUPERPROPPING™

## MEGA PROP SPECIFICATIONS.



Screw Jack

Description	Weight (Kg)
Screw Jack	53.8

Range: 410-620mm

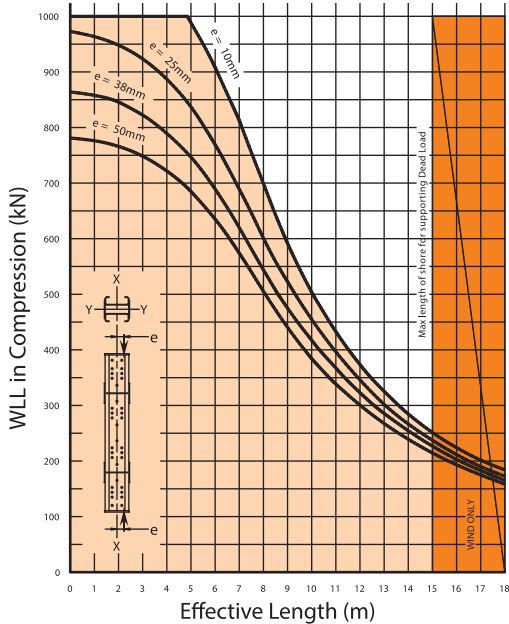
WWL: 550 kN - 1000 kN in compression depending on height.

Please refer to Megashor Technical Data Sheets

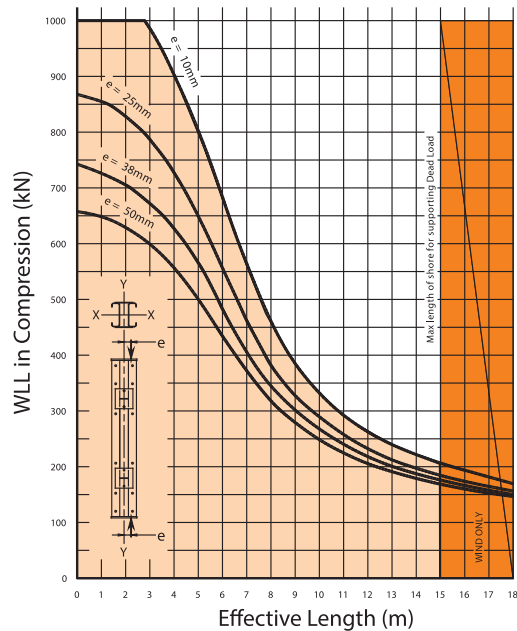
### Design and Loading Data

Designs are carried out to standards of AS3610: Formwork for concrete.

WLL in Compression for Vertical MEGA PROP - XX Axis



WLL in Compression for Vertical MEGA PROP - YY Axis



COUNT ON US

1800 440 550 | [prestonhire.com.au](http://prestonhire.com.au)



## SPECIALISED EQUIPMENT HIRE SOLUTIONS

### Service Facility Locations

**Preston Hire - NSW**  
Unit 3,10 Tarlington Place,  
Smithfield, NSW 2164  
nswsales@prestonhire.com.au

**Preston Hire - ACT**  
38 John Bull Street,  
Queanbeyan West, NSW 2620  
actsales@prestonhire.com.au

**Preston Hire - New Zealand**  
563 Rosebank Rd,  
Avondale, Auckland 1026  
nzsales@prestonhire.com.au

**Preston Hire - QLD**  
83 Parramatta Road,  
Underwood, QLD 4119  
qldsales@prestonhire.com.au

**Preston Hire - VIC/TAS**  
38-40 Sunline Dr,  
Truganina, VIC 3029  
vicsales@prestonhire.com.au

**Preston Hire - WA/NT**  
Unit 2,8 Hunt Street,  
Malaga, WA 6090  
wasales@prestonhire.com.au

**Preston Hire - SA**  
102 Cormack Road,  
Wingfield, SA 5013  
sasales@prestonhire.com.au

*\*Preston Hire available across Oceania*



COUNT ON US

1800 440 550 | [prestonhire.com.au](http://prestonhire.com.au)